

PRODUCT TECHNICAL SHEET

Collection : **DYNAMIC**

Ref. : **4527.11.42**

Mitigeur mural à encastrer

Eéngreepsmengkraan voor wandmontage

Concealed wall-mounted single-lever mixer

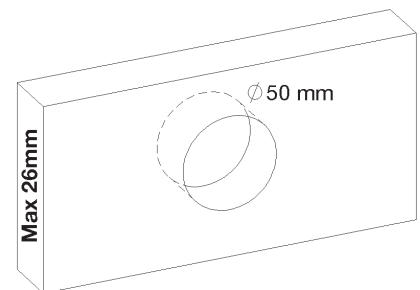
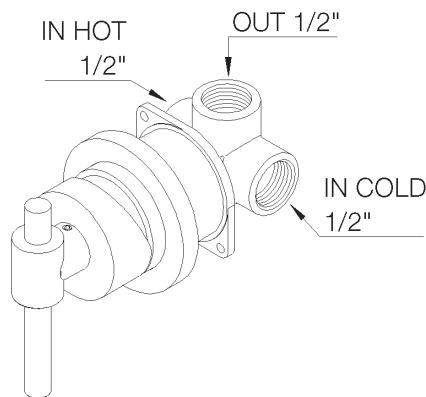
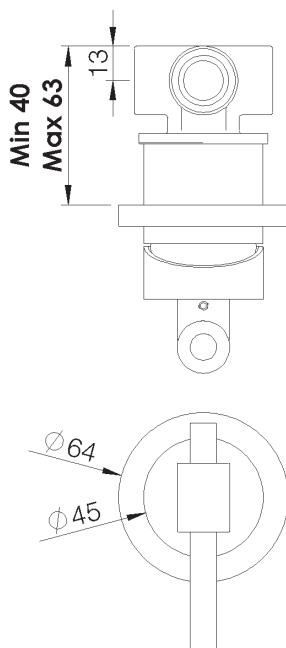
Picture

Product details



Internal mechanism : Mixer ceramic cartridge (90°)

Technical drawing



RA1.V01